

Caution

Disconnect the battery during installation. Overtightening may result in damage to the instrument and may void your warranty.

Installation

1. Cut in the dash and mount the gauge with the back clamp supplied.

5-inch gauge (4.375" [112 mm] mounting hole)

4-inch gauge (3.375" [85 mm] mounting hole)

2-inch gauge (2.0625" [53 mm] mounting hole)

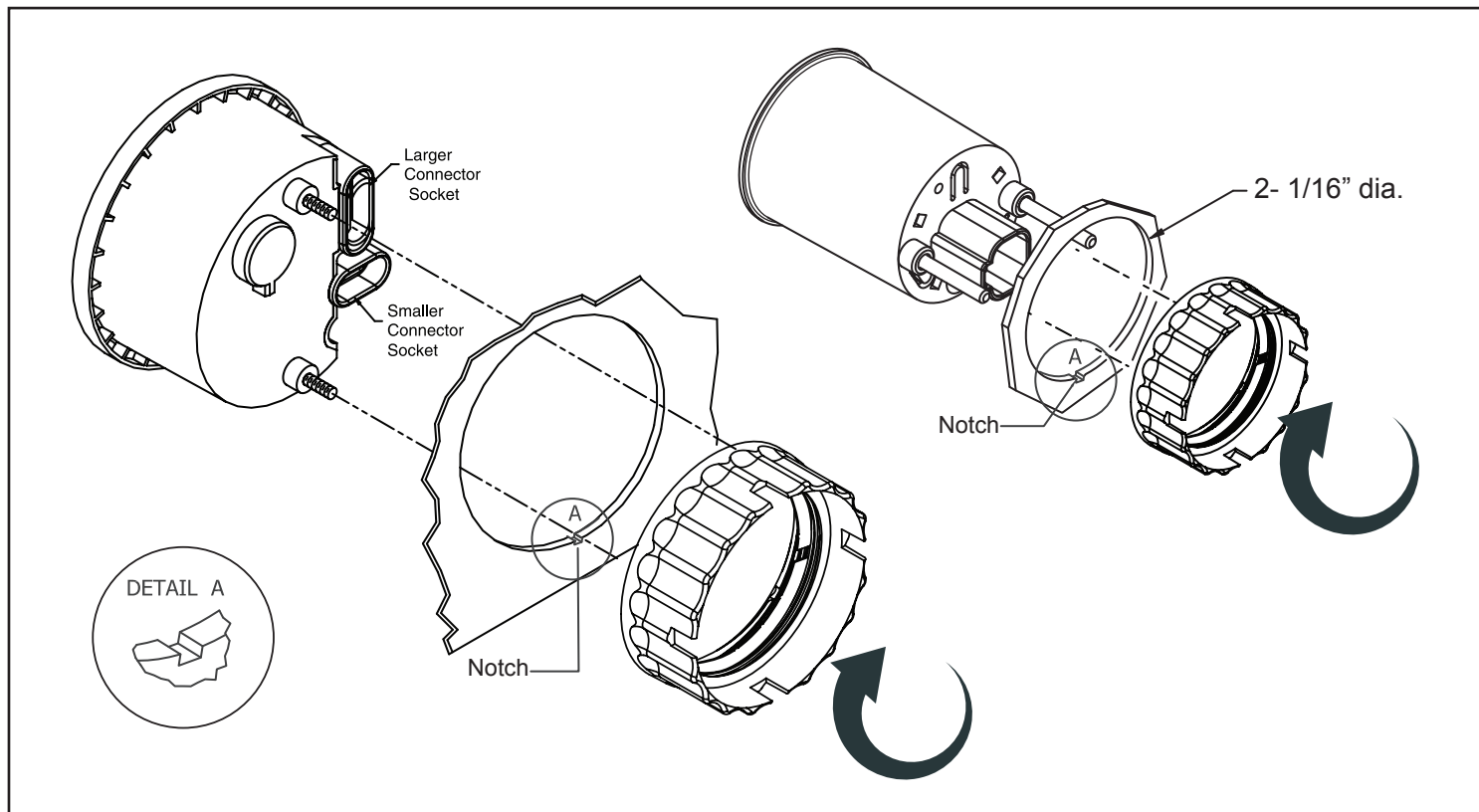
Note: For connectorized cases be sure to cut a .175" wide by .115" deep notch to accept the key on the case.

2. Rotate metal insert in back clamp to the top of clamp, so that it is closest to the gauge when installed.

3. Push back clamp on gauge housing.

4. Rotate back clamp 1/4 turn or until tightened against gauge housing.

Note: Do not over tighten back clamp.

Diagram**Reconnect Power**

5. Reconnect the battery.

For technical assistance, contact Faria Beede Instruments - Customer Service between 8:30 AM and 5:30 PM Eastern time weekdays at (860) 848-9271 or (800) 473-2742.